



EstesRockets.com

PRO SERIES II

LAUNCH RAIL KIT

2311

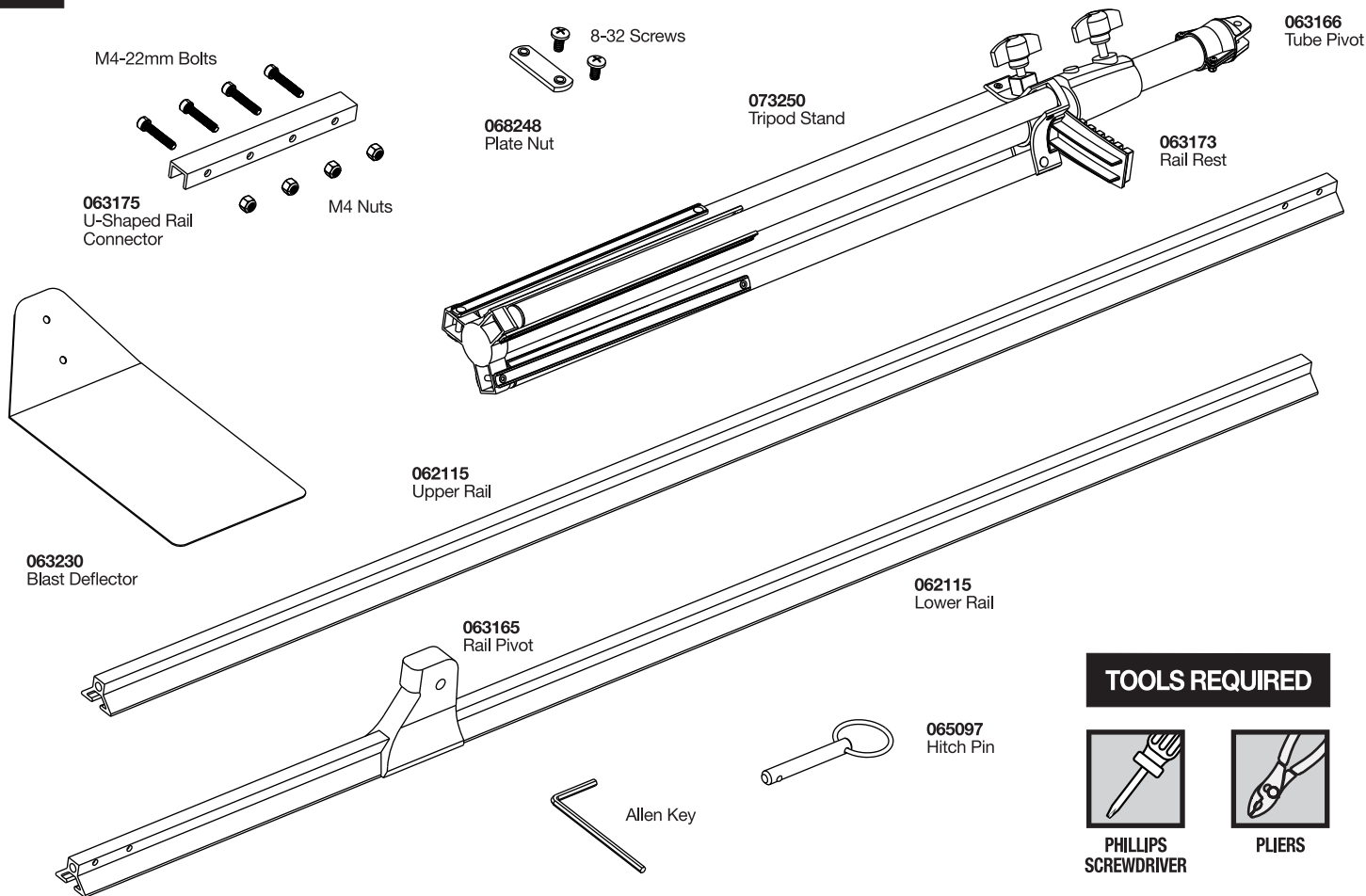
AGES 10+

ASSEMBLY INSTRUCTIONS

KEEP FOR FUTURE REFERENCE

Note: This Product is to be used with Rockets that have 1010 rail buttons. Read all instructions carefully.

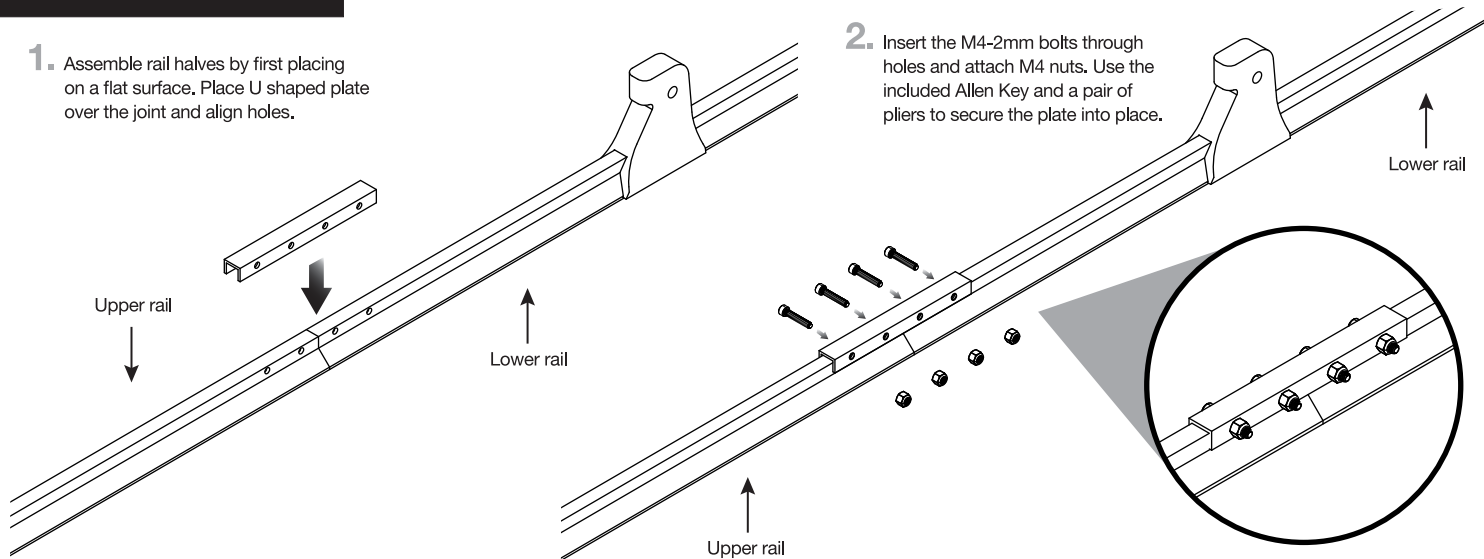
PARTS



ASSEMBLE LAUNCH RAIL

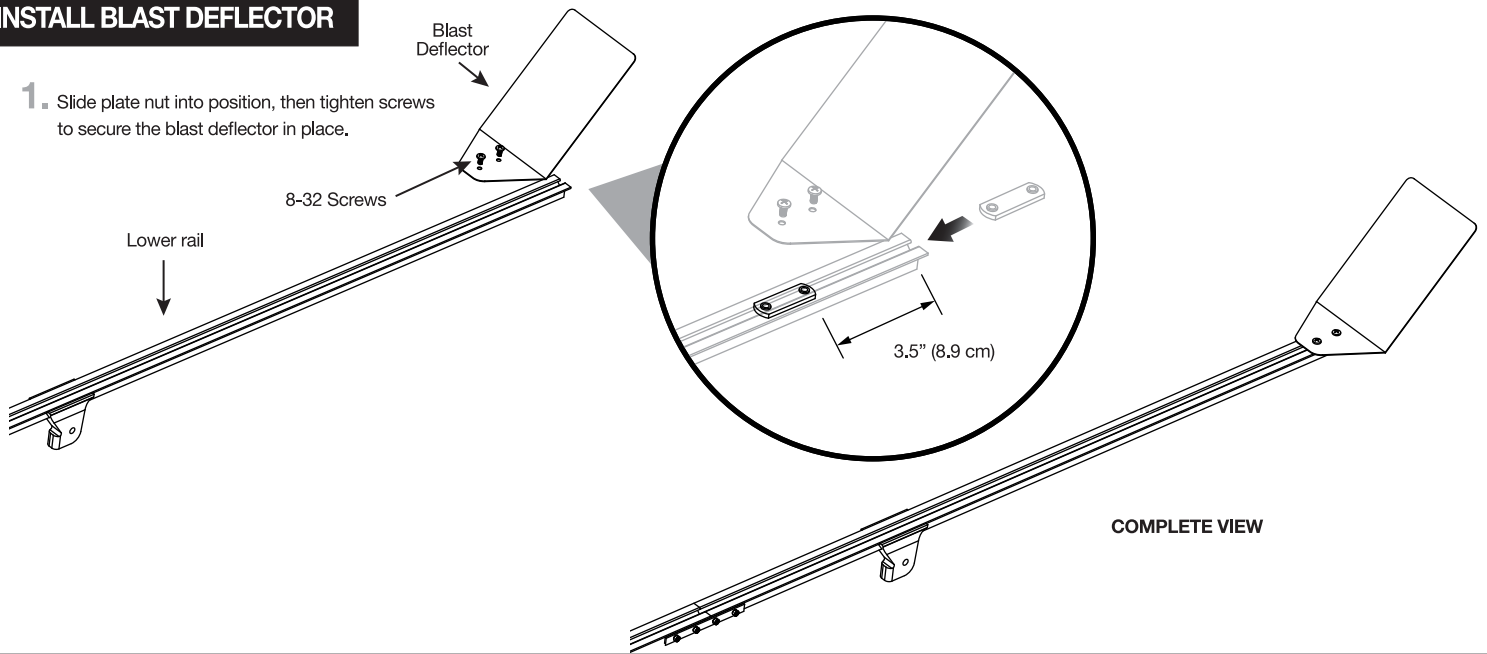
1. Assemble rail halves by first placing on a flat surface. Place U shaped plate over the joint and align holes.

2. Insert the M4-2mm bolts through holes and attach M4 nuts. Use the included Allen Key and a pair of pliers to secure the plate into place.



INSTALL BLAST DEFLECTOR

1. Slide plate nut into position, then tighten screws to secure the blast deflector in place.



FINAL ASSEMBLY

1. Loosen knob one full turn.
2. Gently pull outward on all three legs until they are fully extended.
3. Tighten Knob.
4. Align hole on rail pivot to hole on tube pivot. Insert hitch pin to secure in place.
5. Loosen Knob.
6. Place end of rail in the desired location then tighten knob.

LOADING ROCKET

1. Loosen knob and place rail into a horizontal position to load rocket.
 2. Once rocket is loaded, rotate rail back down and secure in place at the desired launch angle and tighten knob.
- READY FOR LAUNCH



Estimated weight: 3.6 oz.